



WORX



SAFETY AND OPERATING MANUAL

Belt sander

WX66 I

SAFETY INSTRUCTIONS



WARNING: Read all safety warnings and all instructions. Failure to follow the warnings and instructions may result in electric shock, fire and/or serious injury.

Save all warnings and instructions for future reference.

The term "power tool" in the warnings refers to your mains-operated (corded) power tool or battery-operated (cordless) power tool.

1) WORK AREA SAFETY

a) Keep work area clean and well lit.

Cluttered or dark areas invite accidents.

b) Do not operate power tools in explosive atmospheres, such as in the presence of flammable liquids, gases or dust.

Power tools create sparks which may ignite the dust or fumes.

c) Keep children and bystanders away while operating a power tool.

Distractions can cause you to lose control.

2) ELECTRICAL SAFETY

a) Power tool plugs must match the outlet. Never modify the plug in any way. Do not use any adapter plugs with earthed (grounded) power tools.

Unmodified plugs and matching outlets will reduce risk of electric shock.

b) Avoid body contact with earthed or grounded surfaces such as pipes, radiators, ranges and refrigerators.

There is an increased risk of electric shock if your body is earthed or grounded.

c) Do not expose power tools to rain or wet conditions.

Water entering a power tool will increase the risk of electric shock.

d) Do not abuse the cord. Never use the cord for carrying, pulling or unplugging the power tool. Keep cord away from heat, oil, sharp edges or moving parts.

Damaged or entangled cords increase the risk of electric shock.

e) When operating a power tool outdoors, use an extension cord suitable for outdoor use.

Use of a cord suitable for outdoor use reduces the risk of electric shock.

f) Recommendation for the use of a residual current device with a rated residual current of 30 mA or less.

3) PERSONAL SAFETY

a) Stay alert, watch what you are doing and use common sense when operating a power tool. Do not use a power tool while you are tired or under the influence of drugs, alcohol or medication.

A moment of inattention while operating power tools may result in serious personal injury.

b) Use personal protective equipment. Always wear eye protection.

Protective equipment such as dust mask, non-skid safety shoes, hard hat, or hearing protection used for appropriate conditions will reduce personal injuries.

c) Prevent unintentional starting. Ensure the switch is in the off-position before connecting to power source and/or battery pack, picking up or carrying the tool.

Carrying power tools with your finger on the switch or energising power tools that have the switch on invites accidents.

d) Remove any adjusting key or wrench before turning the power tool on.

A wrench or a key left attached to a rotating part of the power tool may result in personal injury.

e) Do not overreach. Keep proper footing and balance at all times.

This enables better control of the power tool in unexpected situations.

f) Dress properly. Do not wear loose clothing or jewellery. Keep your hair, clothing and gloves away from moving parts.

Loose clothes, jewellery or long hair can be caught in moving parts.

g) If devices are provided for the connection of dust extraction and collection facilities, ensure these are connected and properly used.

Use of these devices can reduce dust-related hazards.

4) POWER TOOL USE AND CARE

a) Do not force the power tool. Use

the correct power tool for your application. The correct power tool will do the job better and safer at the rate for which it was designed.

- b) Do not use the power tool if the switch does not turn it on and off.** Any power tool that cannot be controlled with the switch is dangerous and must be repaired.
- c) Disconnect the plug from the power source and/or the battery pack from the power tool before making any adjustments, changing accessories, or storing power tools.** Such preventive safety measures reduce the risk of starting the power tool accidentally.
- d) Store idle power tools out of the reach of children and do not allow persons unfamiliar with the power tool or these instructions to operate the power tool.** Power tools are dangerous in the hands of untrained users.
- e) Maintain power tools. Check for misalignment or binding of moving parts, breakage of parts and any other condition that may affect the power tools operation. If damaged, have the power tool repaired before use.** Many accidents are caused by poorly maintained power tools.
- f) Keep cutting tools sharp and clean.** Properly maintained cutting tools with sharp cutting edges are less likely to bind and are easier to control.
- g) Use the power tool, accessories and tool bits etc. in accordance with these instructions and in the manner intended for the particular type of power tool, taking into account the working conditions and the work to be performed.** Use of the power tool for operations different from those intended could result in a hazardous situation.

5) BATTERY TOOL USE AND CARE

- a) Ensure the switch is in the off position before inserting battery pack.** Inserting the battery pack into power tools that have the switch on invites accidents.
- b) Recharge only with the charger**

specified by the manufacturer. A charger that is suitable for one type of battery pack.

- c) Use power tools only with specifically designated battery packs.** Use of any other battery packs may create a risk of injury and fire.
- d) When battery pack is not in use, keep it away from other metal objects like paper clips, coins, keys, nails, screw, or other small metal objects that can make a connection from one terminal to another.** Shorting the battery terminals together may cause burns or fire.
- e) Under abusive conditions, liquid may be ejected from the battery; avoid contact, if contact accidentally occurs, flush with water. If liquid contacts eyes, additionally seek medical help.** Liquid ejected from the battery may cause irritation or burns.

6) SERVICE



- a) Have your power tool serviced by a qualified repair person using only identical replacement parts.** This will ensure that that safety of the power tool is maintained.

ADDITIONAL SPECIFIC SAFETY INSTRUCTIONS FOR BELT SANDER



Remove the plug from the socket before carrying out any adjustment, servicing or maintenance.

1. Fully unwind cable drum extensions to avoid potential overheating.
2. When an extension cable is required you must ensure it has the correct ampere rating for your power tool and is in a safe electrical condition.
3. Ensure your mains supply voltage is the same as indicated on the rating plate.
4. Your tool is double insulated for additional protection against a possible electrical insulation failure within the tool. □
5. Always check walls, floors and ceilings to avoid hidden power cables and pipes.

6. After long working period external metal parts and accessories could be hot.
7. Wear eye protection when operating this tool. 
8. If possible ensure the workpiece is firmly clamped to prevent movement.
9. Your belt sander is a hand held tool, do not clamp your belt sander.
10. Before sanding check the area is free of nails, screws, etc.
11. Never stop the belt sander paper by applying a force to the belt.
12. Only use belt in good condition. Do not use with a torn or worn belt.
13. Do not sand material containing asbestos due to a health risk.
14. Do not eat or drink in the working area of the sander.
15. Do not allow people to enter the working area without wearing the correct type of mask.
16. Where possible seal off the working area to contain the dust for later removal.
17. Always wear a dust mask. 
18. Your tool is designed for dry sanding only, not wet sanding.
19. Your tool is designed for general-purpose light polishing of wood and metals.
20. Do not sand magnesium material due to the risk of fire.
21. **Hold tool by insulated gripping surfaces when performing an operation where the cutting tool may contact hidden wiring.** Contact with a 'live' wire will also make exposed metal parts of the tool 'live' and shock the operator.



WARNING: Some dust created by power sanding and other construction activities contains chemicals known to cause cancer, birth defects or other reproductive harm.

Some examples of these chemicals are:

- Lead from lead-based paints.
- Crystalline silica from bricks and cement and other masonry products.
- Arsenic and chromium from chemically treated lumber.

Your risk from these exposures varies,

depending upon how often you do this type of work. To reduce your exposure to these chemicals:

- Work in a well-ventilated area.
- Work with approved safety equipment, such as those dust masks that are specially designed to filter microscopic particles.

Double insulation

The tool is double insulated. This means that all the external metal parts are electrically insulated from the main power supply. This is done by placing insulation barriers between the electrical and mechanical components making it unnecessary for the tool to be earthed.

Important note

Be sure the supply is the same as the voltage given on the rating plate. The tool is fitted with a two-core cable and plug.

Remove the main plug from socket before carrying out any adjustment or servicing.

SYMBOLS



To reduce the risk of injury, user must read instruction manual



Warning



Double insulation



Wear eye protection



Wear ear protection

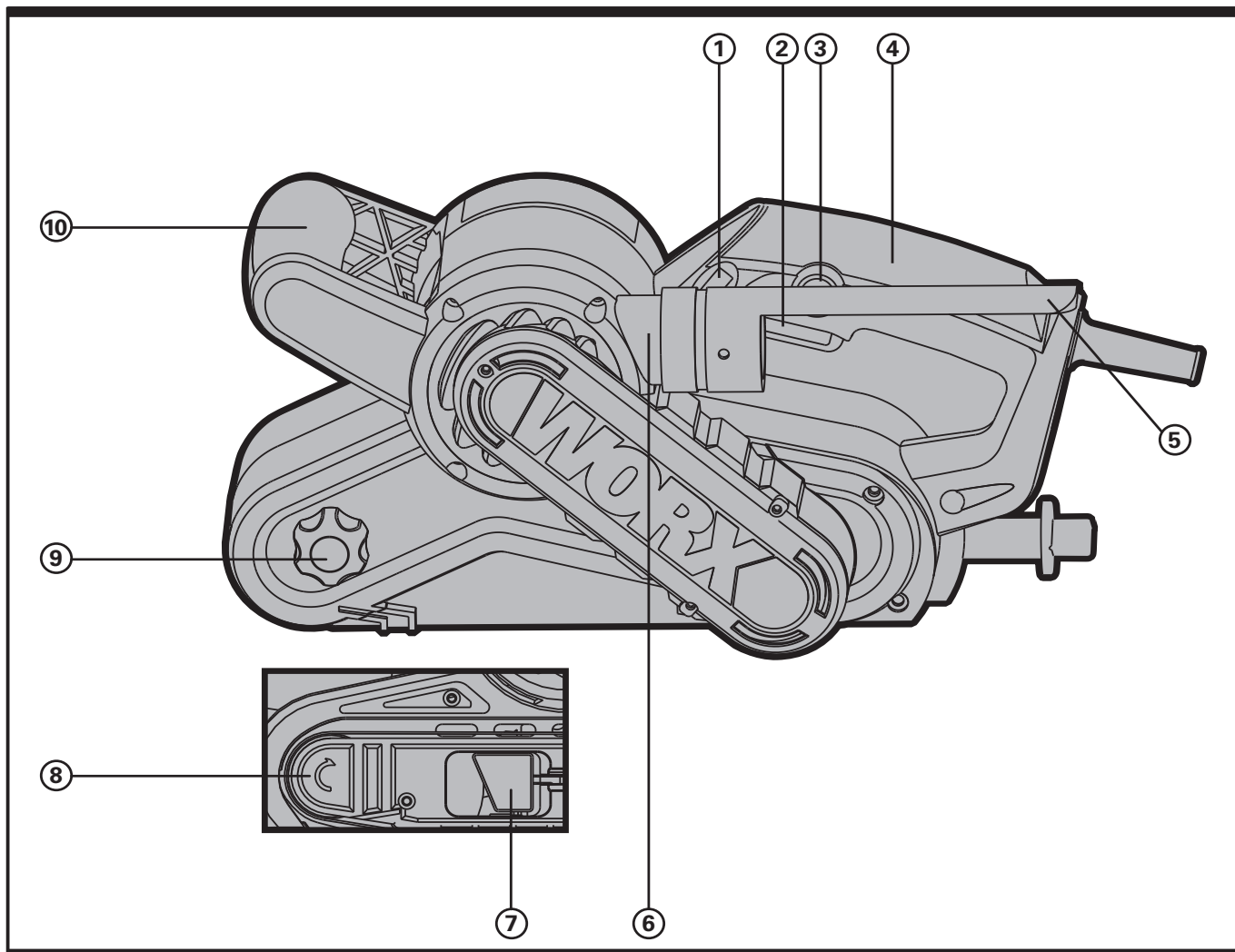


Wear dust mask



RCM approval mar

5112




- 1. VARIABLE SPEED CONTROL**
- 2. ON/OFF SWITCH**
- 3. SWITCH LOCK-ON BUTTON**
- 4. HAND GRIP AREAS**
- 5. DUST BAG**
- 6. DUST EXTRACTION OUTLET**
- 7. BELT TENSION RELEASE LEVER**
- 8. ROTATION DIRECTION ARROW**
- 9. BELT CENTERING CONTROL KNOB**
- 10. FRONT HANDLE**
- 11. SANDING BELT (SEE FIG D)***
- 12. BASE-PLATE (SEE FIG D)**
- 13. DUST EXTRACTION ADAPTER (SEE FIG F, G)**

*Not all the accessories illustrated or described are included in standard delivery.


Belt sander

WX66 I

TECHNICAL DATA

Rated voltage	220-240V~50Hz
Rated power	950 W
Rated no load speed	240-350 m/min
Belt size	76 mmx533 mm
Sanding area	76 mmx130 mm
Protection class	 /II
Machine weight	3.3 kg

NOISE AND VIBRATION DATA

A weighted sound pressure	86.5 dB (A)
A weighted sound power	97.5 dB (A)
K_{PA} & K_{WA}	3.0 dB (A)
Wear ear protection when sound pressure is over	85 dB(A) 
Typical weighted vibration	9.2 m/s ²
K	1.5 m/s ²

ACCESSORIES

Dust bag	1pc
Sanding belt (80 grit)	2pcs
35 mm Dust extraction adapter	1pc
32 mm Dust extraction adapter	1pc

We recommend that you purchase your accessories from the same store that sold you the tool. Use good quality accessories marked with a well-known brand name. Choose the type according to the work you intend to undertake. Refer to the accessory packaging for further details. Store personnel can assist you and offer advice.

OPERATING INSTRUCTIONS



NOTE: Before using the tool, read the instruction book carefully.

1. ON/OFF SWITCH

Depress to start and release to stop your tool.

2. SWITCH LOCK-ON BUTTON (SEE FIG A)

Depress on/off switch (2) then lock on button (3). Your tool is now locked on for continuous use. To switch off your tool just depress and release the on/off switch.

3. VARIABLE SPEED CONTROL DIAL

Adjust the variable speed control (1) to increase or decrease the speed according to the material and sanding belt specification to be used (also possible during no load operation). See the table below for general guidance on speed selection. Avoid prolonged use at very low speed as this may damage your sander's motor.

Material	Speed selection	Belt Grit
Solid Wood	5-6	80
Veneer	2-4	150
Chipboard	1-5	60/80
Plastics	2-5	100
Steel	5-6	80
Paint Removal	6	40/60
Balsa Wood	1-3	100
Acrylic	1-2	100

4. CHANGING A SANDING BELT (SEE FIG B, C)



WARNING! Remove the main plug from the socket before changing sanding belt.

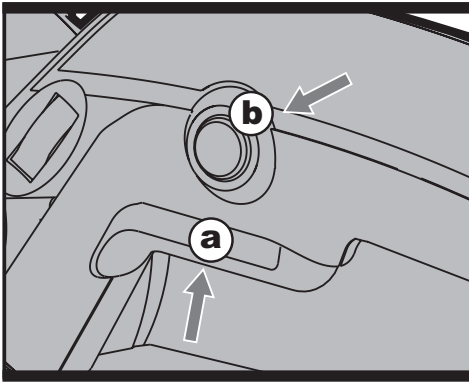
Pull the lever (7) to release the belt tension. Remove and fit a new belt over both rollers. Ensure the direction of rotation arrows on the belt and the sander are the same. Close the lever to tension the belt.

5. BELT CENTERING CONTROL (SEE FIG D)

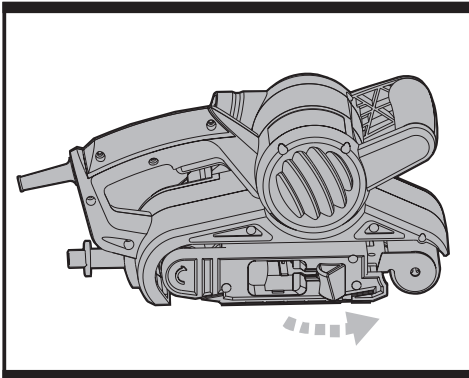


WARNING! Wear eye protection before carrying out a belt centering adjustment.

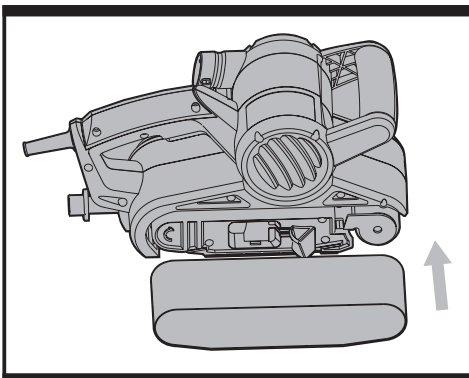
Turn the machine upside down, hold it firmly with one hand, start the motor and release the switch



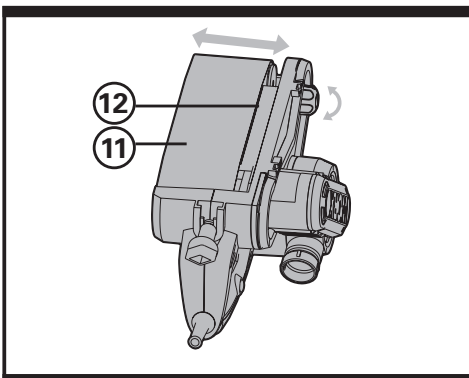
A



B



C



D

immediately after observing tracking of sanding belt. If abrasive belt runs outward, turn tracking adjustment knob (9) counter-clockwise and clockwise if belt runs inward. Adjust the belt until the outer edge of the belt is even with the outer edge of the base-plate (12). Belt life will be greatly increased by keeping the tracking adjustment set properly.

6. DUST BAG (SEE E)

You must use the dust collection bag provided to collect the dust produced during sanding. To attach, insert the dust collection bag into the dust extraction outlet. Make sure the dots of the outlet are locked in the slot of the dust bag. When the dust collection bag is full, remove and empty by opening the zip on the dust bag (5).

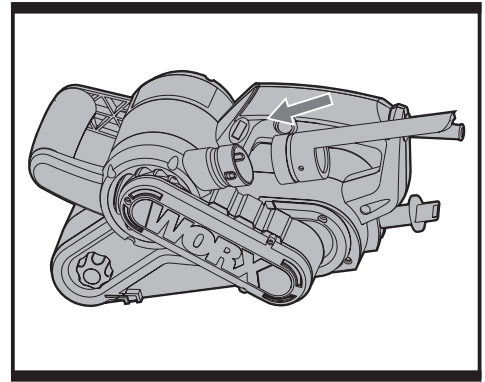
7. ASSEMBLE THE DUST EXTRACTION ADAPTER(SEE F,G)

Your sander is equipped with a dust extraction adapter, which is designed for letting you attach a wet/dry vac for collecting dust better. Insert the suitable size adapter into the outlet until it is secured. Insert the 35mm adapter (13a) into the outlet until it is secured (See F), then insert the 32 mm adapter (13b) into the back of the 35 mm adapter (Fig. G).

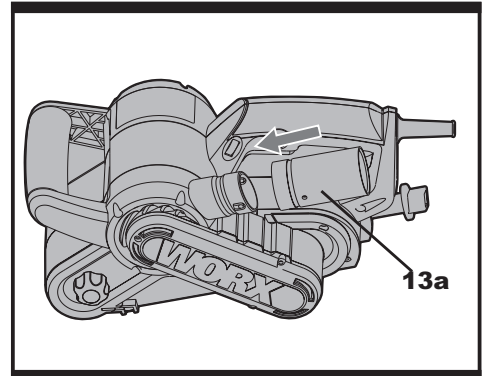
8. DRIVE BELT REPLACEMENT.

 **WARNING! Remove the main plug from the socket before carrying out a drive belt replacement.**

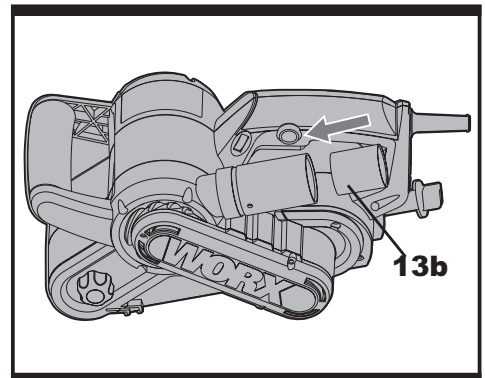
Remove the two screws and the belt cover as shown. Carefully cut the drive belt if not already broken and remove from your belt sander. Fit your new drive belt around the large pulley. Then install onto the small pulley by rotating clockwise and pushing the drive belt shown around the small pulley at the same time. The drive belt will be a tight fit. Fit the belt cover and two screws.



E



F



G

WORKING HINTS FOR YOUR BELT SANDER

If your power tool becomes too hot, especially when used at low speed, set the speed to maximum and run with no load for 2-3 minutes to cool the motor. Avoid prolonged usage at very low speed. Always use a sanding belt suited to the material you wish to sand. Always ensure the work-piece is firmly held or clamped to prevent movement. Support large panels close to the sanding area. Any movement of the material may affect the quality of the sanding finish. Start your sander before sanding and turn off only after stopping sanding. For best results sand wood in the direction of the grain. Do not start sanding without the sanding belt fitted. Empty the dust bag every 5 minutes or sooner to ensure efficient dust collection.

MAINTAINANCE

Remove the plug from the socket before carrying out any adjustment, servicing or maintenance.

Your power tool requires no additional lubrication or maintenance. There are no user serviceable parts in your power tool. Never use water or chemical cleaners to clean your power tool. Wipe clean with a dry cloth. Always store your power tool in a dry place. Keep the motor ventilation slots clean. Keep all working controls free of dust. Occasionally you may see sparks through the ventilation slots. This is normal and will not damage your power tool.

If the supply cord is damaged, it must be replaced by the manufacturer, its service agent or similarly qualified persons in order to avoid a hazard.

WORX
you've got the power