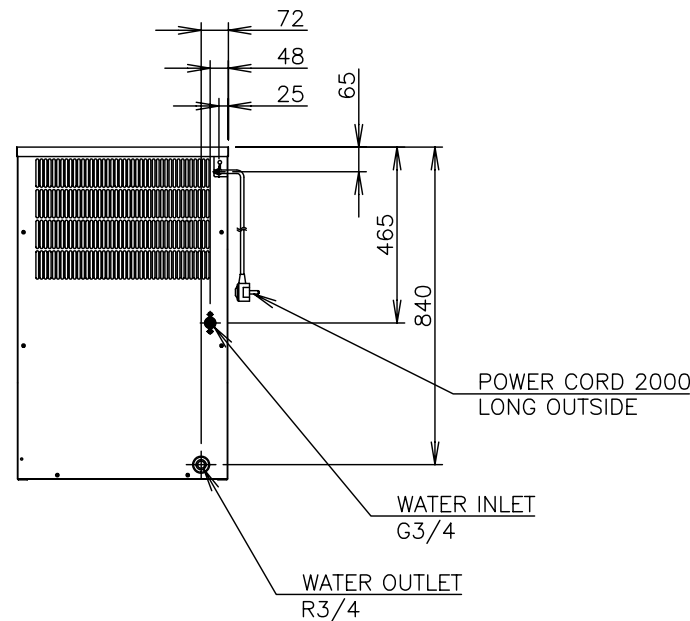
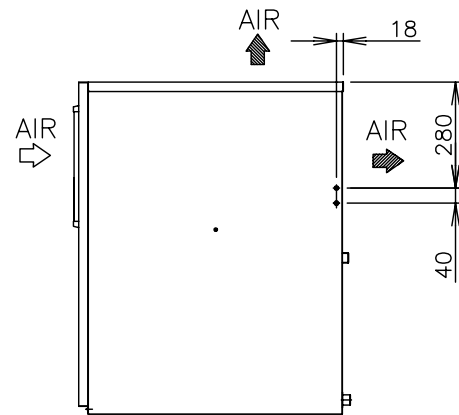
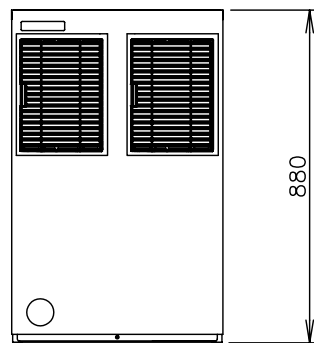
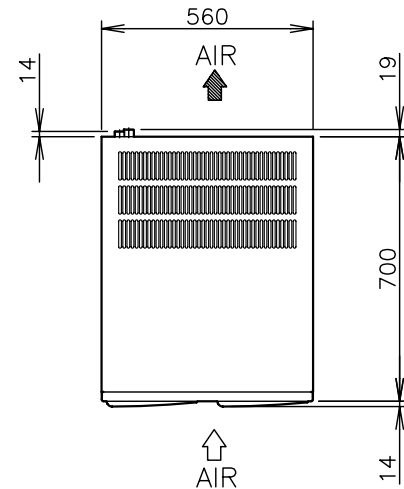


1. Install the ice maker properly in accordance with the instructions on location, water supply/drain connections and electrical connections stated in the instruction and installation manuals provided. Allow 10mm extra space at the installation site to meet any installation requirements (additional spacing is also required for proper air flow and water connections).
2. The ice production depends on the ambient and water temperatures. Refer to the instruction manual.



ITEM	HOSHIZAKI CUBE ICE MACHINE	
MODEL	IM-240AME-23	
AC SUPPLY VOLTAGE	1 PHASE 220-240V 50Hz	
AMPERAGE	7.5A (AT.32℃, WT.21℃)	
STARTING AMPERAGE	30A	
ELECTRIC CONSUMPTION	1320W (AT.32℃, WT.21℃)	
POWER FACTOR	73%	
POWER SUPPLY CAPACITY	Min. 2.0KVA (8.3A)	
ICE PRODUCTION PER 24h	Approx. 210kg (AT.10℃, WT.10℃) Approx. 200kg (AT.21℃, WT.15℃) Approx. 190kg (AT.32℃, WT.21℃)	
WATER CONSUMPTION PER 24h	Approx. 0.75m ³ (AT.10℃, WT.10℃) Approx. 0.68m ³ (AT.21℃, WT.15℃) Approx. 0.48m ³ (AT.32℃, WT.21℃)	
SHAPE OF ICE	Cube Approx. 28×28×23mm	
FREEZE CYCLE TIME	Approx. 13min (AT.21℃, WT.15℃)	
ICE PRODUCTION PER CYCLE	Approx. 2.27kg/140.pcs (AT.21℃, WT.15℃)	
MAX STORAGE CAPACITY	Approx. 115.0kg (Bin Control Setting Approx. 105kg)	
DIMENSIONS	560mm(W)×700mm(D)×880mm(H)	
EXTERIOR	Stainless Steel	
CONNECTIONS-ELECTRIC	Y-Type Con. (with UK. Plug)	
CONNECTIONS-WATER SUPPLY	Inlet G3/4 (connected at rear side)	
CONNECTIONS-DRAIN	Outlet R3/4 (connected at rear side)	
ICE MAKING SYSTEM	Cell type	
HARVESTING SYSTEM	Hot Gas Defrost	
COMPRESSOR	Hermetic 1010W MODEL MS26TG-T	
CONDENSER	Air-cooled, Fin and Tube type	
HEAT REJECTION	2520W(2160kcal/h) (AT.32℃, WT.21℃)	
EVAPORATOR	Tin-plated Copper Tube on Sheet and Cells	
REFRIGERANT CONTROL	Thermostatic Expansion Valve	
REFRIGERANT CHARGE	R404A 650g	
ICE MAKING CONTROL SYSTEM	Thermistor, Timer	Controller Board
HARVESTING CONTROL SYSTEM	Thermistor	
BIN CONTROL SYSTEM	Microswitch with Time Delay	
ICE MAKING WATER CONTROL SYSTEM	Timer, Water Pan's movement	
ELECTRICAL PROTECTION	Class I Appliance, 5A Fuse	
COMPRESSOR PROTECTION	Auto-reset Overload Protector	
ICE MAKER PROTECTION	Interlock by Controller Board	
WEIGHT	Net weight 90kg/Gross weight 110kg	
PACKAGE	Carton 671mm(W)×820mm(D)×1000mm(H)	
ACCESSORIES	Scoop, Installation Kit, Ice Chute	
OPERATING CONDITIONS	Ambient Temp.: 1 - 40° C, Water Supply Temp.: 5-35℃ Water Supply Pressure: 0.5-0.8MPa	

HOSHIZAKI CUBE ICE MACHINE IM-240AME-23

DESIGNED	DRAWN	SCALE 1/20	TRIGONOMETRY
2008.11.04	DATE 1998.09.14	DRAWING NO. 3X6478	SYMBOL

この図面は印刷の都合上、尺度が正しく再現されていません。